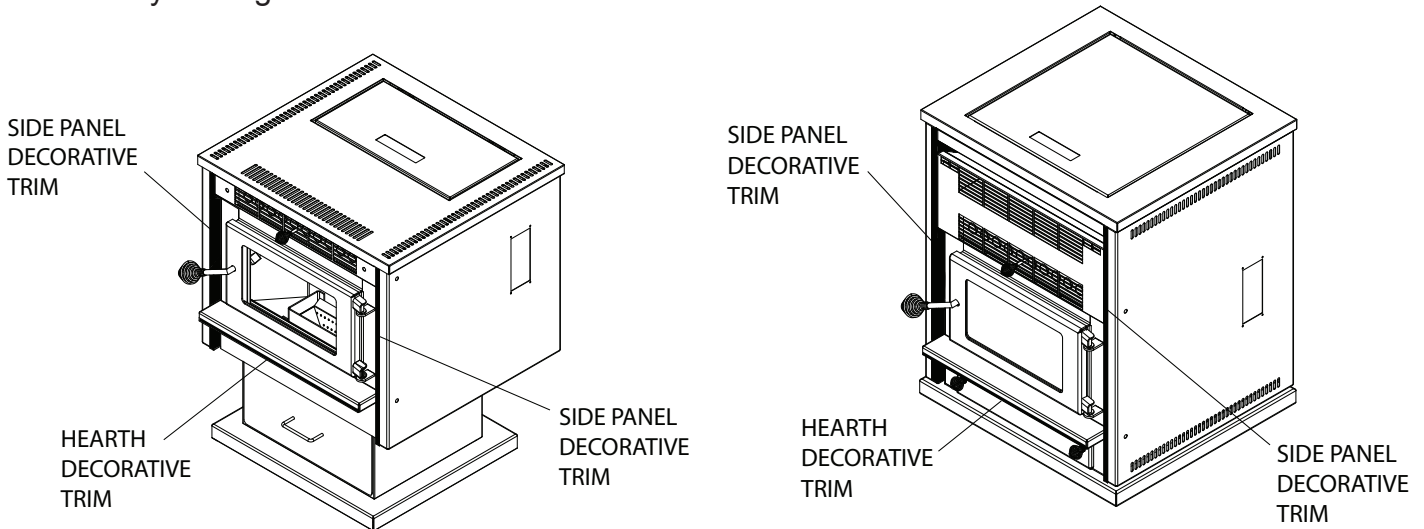




MODEL 100 AND KSH 120 DX DECORATIVE TRIM

The KOZI Model 100 and KOZI KSH 120 DX pellet stoves come with a pre-installed side panel and hearth decorative trims. Prior to installation and operation of your pellet stove, ensure to remove the plastic film protecting the decorative trims as shown below. Operating the stove with the plastic film on may damage the decorative trims.

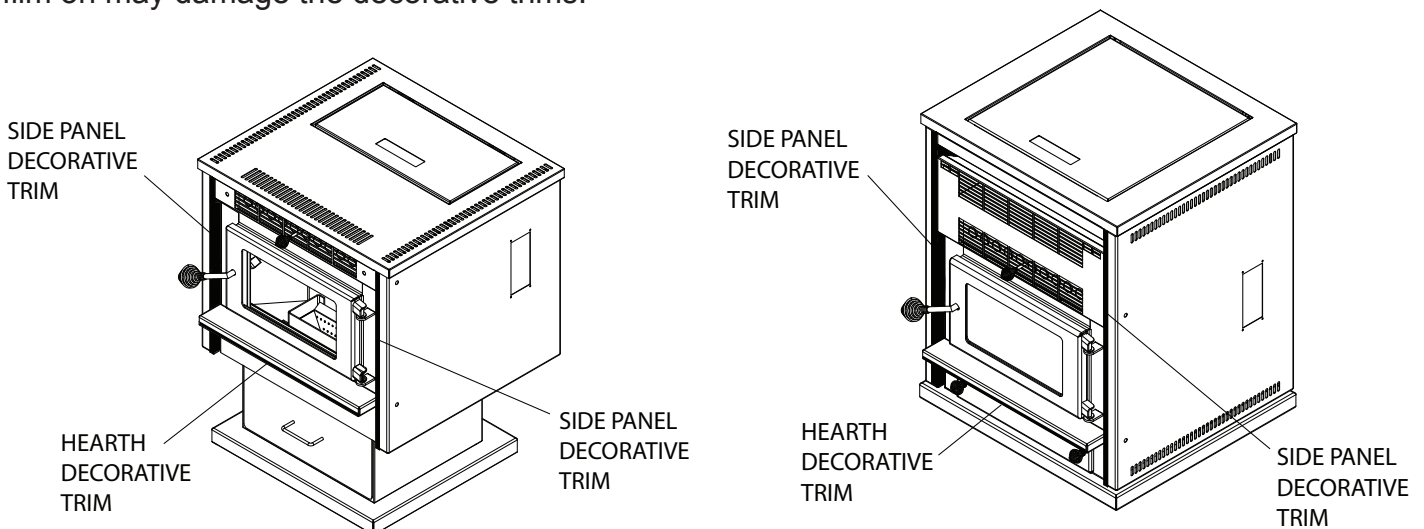


PRINTED IN CANADA
APRIL 2014



MODEL 100 AND KSH 120 DX DECORATIVE TRIM

The KOZI Model 100 and KOZI KSH 120 DX pellet stoves come with a pre-installed side panel and hearth decorative trims. Prior to installation and operation of your pellet stove, ensure to remove the plastic film protecting the decorative trims as shown below. Operating the stove with the plastic film on may damage the decorative trims.



PRINTED IN CANADA
APRIL 2014